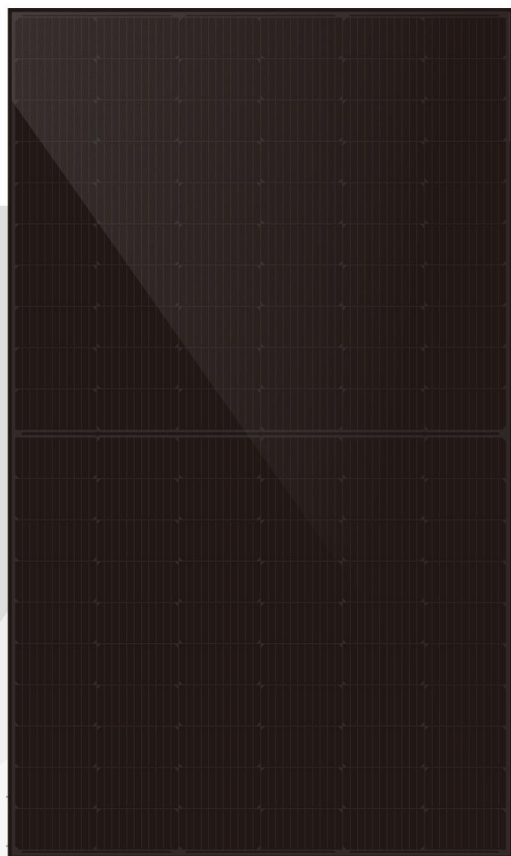


Mono All Black

JC(430-460)-120M-AB

Half-Cell High Efficiency PV Module

Max Module Efficiency: 21.24%



KEY FEATURES

- Excellent module efficiency up to:21.24%
- IP68 junction box for long-term weather endurance
- Heavy snow load up to 5400 Pa, wind load up to 3600 Pa
- PID: Selected material and stringent quality system ensure PID free
- Applicable to harsh environment of deserts, farmlands and seashores
- Much lower risk of hot spot

CERTIFICATE



COMPREHENSIVE

Products and System Certificates

IEC 61215 / IEC 61730 / CE / INMETRO

ISO 9001: 2015/Quality management system

ISO 14001: 2015/Standards for environmental management system

OHSAS 18001: 2007/International standards for occupational health & safety

WARRANTY

30
years

Linear power output warranty

*12 years minimum 92% power output

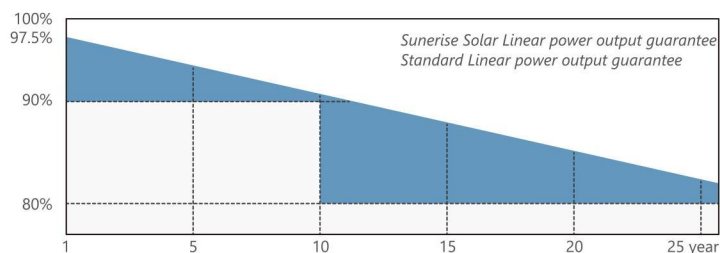
*30 years minimum 83% power output

12
years

Product warranty on materials and workmanship

According to the applicable Einnova Solarline

Limited Warranty Statement



Email: market03@zhonghansolar.com

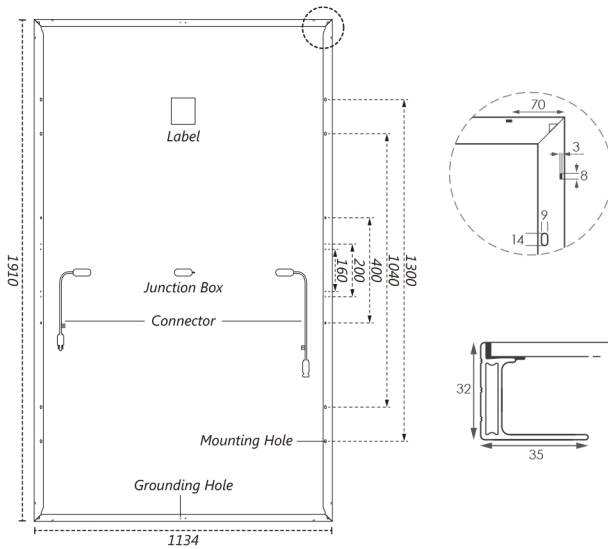
Website: <https://zhonghansolar.en.made-in-china.com/>

Tel: +86 18205626175

Address: 6-1G, Shengang Industrial Park, No. 1689 Xiyou Road, Gaoxin District, Hefei, Anhui, China

JC(430-460)-120M-AB

DESIGN



MECHANICAL SPECIFICATION

Cell Type	Dimension (L×W×T)	Weight
Mono 182*91mm	1910×1134×35mm	24kg
Packing	31pcs/pallet, 744pcs/40HQ	
Cable (Including connector)	4.0mm ² , Portrait: 350mm(+)/350mm(-) Landscape: 1400mm(+)/1400mm(-)	
No. of Cells	120 (6×20)	
Glass	3.2mm High Transmission, Antireflection Coating	
Junction box	IP68, 3 Bypass Diodes	
Connector	MC4 Compatible	

OPERATING PARAMETERS

Maximum system voltage	1000V/1500V DC
Operating Temperature	-40 ~ +85°C
Maximum series fuse rating	25A
Snow load, frontside	5400Pa
Wind load, backside	3600Pa
Nominal operating cell temperature	45°C±2°C
Application level	Class A

ELECTRICAL CHARACTERISTICS(STC)

MODULE TYPE	JC(430-460)-120M-AB						
Maximum Power (Pmax)	430W	435W	440W	445W	450W	455W	460W
Open-circuit Voltage (Voc)	40.80V	41.00V	41.20V	41.40V	41.60V	41.80V	42.00V
Maximum Power Voltage (Vmp)	34.40V	34.60V	34.80V	35.00V	35.20V	35.40V	35.60V
Short-circuit Current (Isc)	13.42A	13.48A	13.54A	13.60A	13.66A	13.72A	13.78A
Maximum Power Current (Imp)	12.50A	12.57A	12.64A	12.71A	12.78A	12.85A	12.92A
Module Efficiency (%)	19.85%	20.08%	20.31%	20.55%	20.78%	21.01%	21.24%
Power Tolerance	0~+5W						
Temperature Coefficient of Isc	0.05%/°C						
Temperature Coefficient of Voc	-0.31%/°C						
Temperature Coefficient of Pmax	-0.35%/°C						

Standard Test Environment : Irradiance 1000W/m², Cell temperature 25°C, Spectrum AM1.5

ELECTRICAL CHARACTERISTICS(NOCT)

MODULE TYPE	JC(430-460)-120M-AB						
Maximum Power (Pmax)	320W	324W	327W	331W	335W	339W	342W
Open-circuit Voltage (Voc)	38.30V	38.50V	38.60V	38.80V	39.00V	39.20V	39.40V
Maximum Power Voltage (Vmp)	32.60V	32.70V	32.90V	33.10V	33.30V	33.50V	33.70V
Short-circuit Current (Isc)	10.83A	10.88A	10.93A	10.97A	11.02A	11.07A	11.12A
Maximum Power Current (Imp)	9.83A	9.88A	9.94A	10.00A	10.05A	10.10A	10.16A

Standard Test Environment : Irradiance 800W/m², Ambient temperature 20°C, Spectrum AM1.5, Wind speed 1m/s